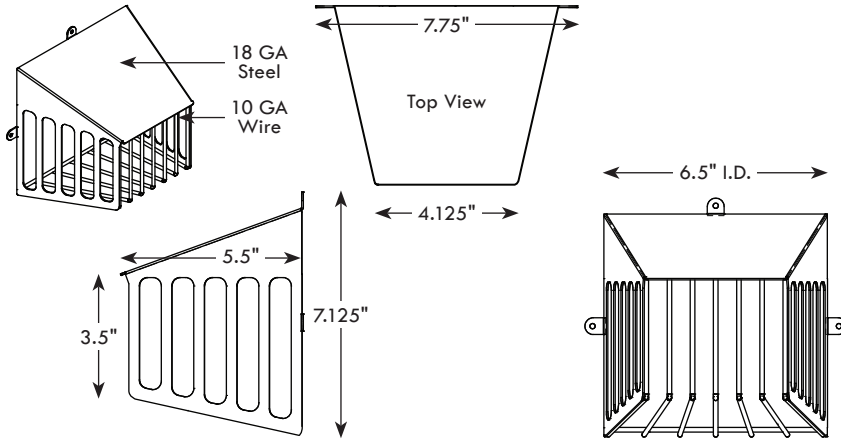
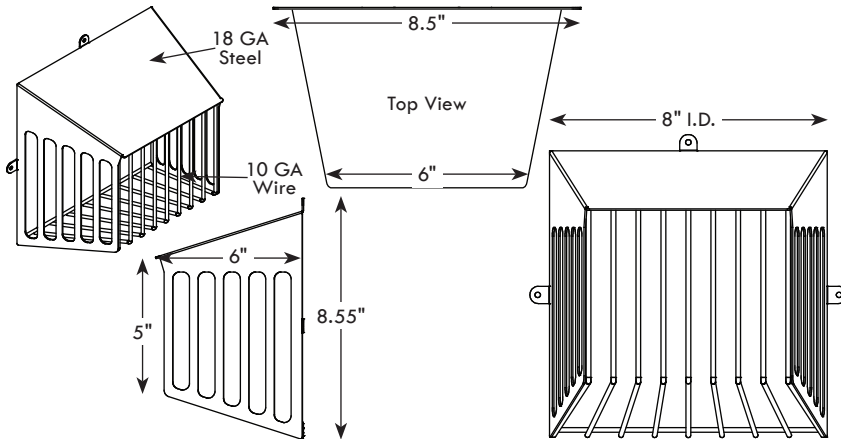


The Defender Model DFRP65



The Defender Model DFRP80



Now With Easy Opening Front Gate

Model	Applications
DFRP65	6.5" inner dimension vent cover for small sized exhaust terminations
DFRP80	8" inner dimension vent cover for medium sized exhaust terminations

Performance Data

For Use:

- Extra Pest Protection for Exhaust Systems
- Complies with IMC 504.4 & IRC 1502.3

Material:

- 18 gauge zinc & powder coated steel hood
- 10 gauge zinc & powder coated steel bars

US Patent 8,845,405, Others Pending

General Information

Benefits:

- Deters Bird and Rodent Entry
- Hides Unsightly Vents
- Works on all Siding Types
- Extra Weather Protection
- Easy Installation and Maintenance Access

Features:

- Drop-Notch Easy-Open Front Gate
- Heavy gauge zinc & powder coated steel
- Sized for Universal Applications
- Extra Fastener Holes for Easy Installation

Manufactured By

InOvate Technologies, Inc.
250 S. Central Blvd. Suite 207
Jupiter, FL 33458
Telephone: 561-743-8696
Facsimile: 561-745-9723
<https://DefenderHood.com>

 **Made in the USA**

U.S. Patent 8,845,405, Others Pending